

# Anchoring Systems

Lewmar is the only marine equipment manufacturer that can provide a total anchoring system from top to bottom

- Windlasses (boats ranging from 20 to 200 feet)
- Chain Stoppers & Safety Straps
- Bow Rollers
- Rodes (Chain & Line to fit all gypsy sizes)
- Anchor Swivels
- Anchors (8 models)



**LEWMAR®**

# Windlass Orientation

Vertical -vs- Horizontal

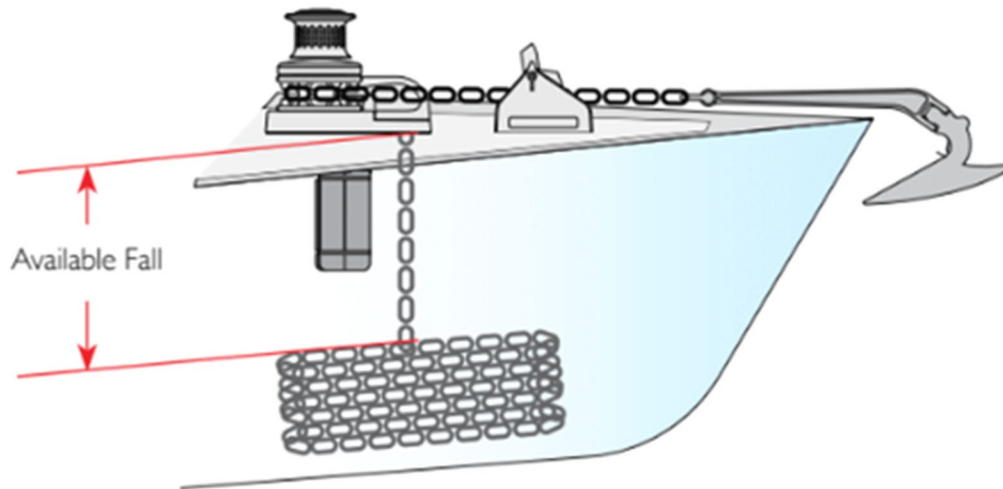


Determined by the direction of the drive shaft

**LEWMAR®**

# Vertical

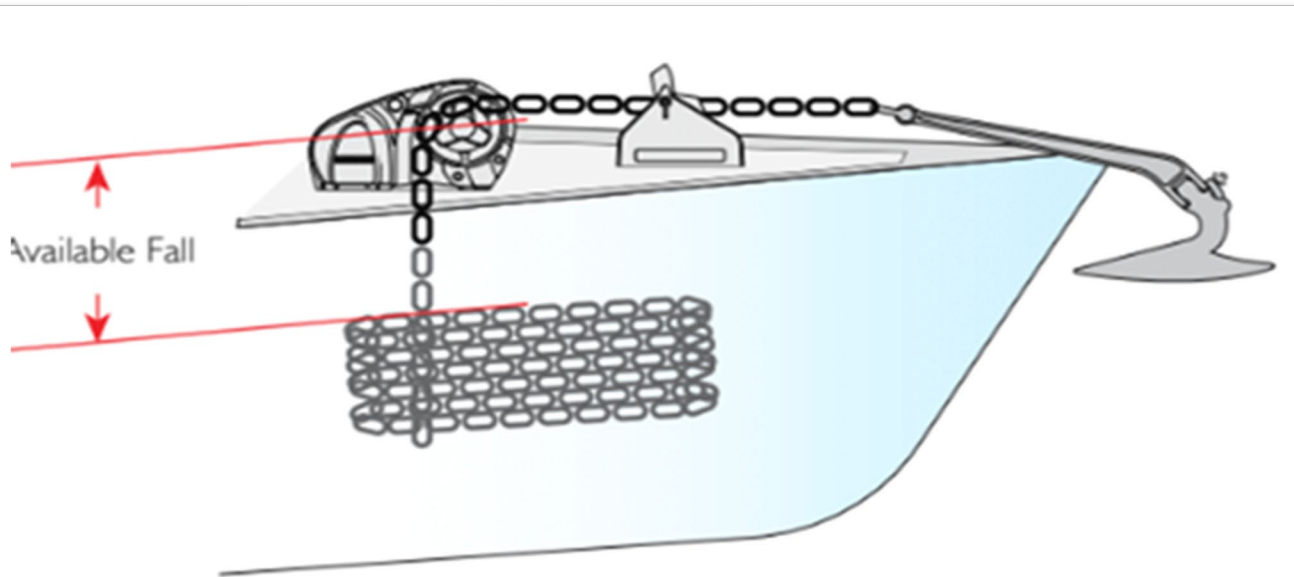
## Vertical Windlass



## Vertical Windlass Key Features

- More of the unit is hidden below deck
- Suitable for large anchor lockers
- Anchor rode makes a 180° wrap around the gypsy providing more security
- Minimum fall of 406mm (18") is recommended in order to have enough gravity to pull the rode down into the locker

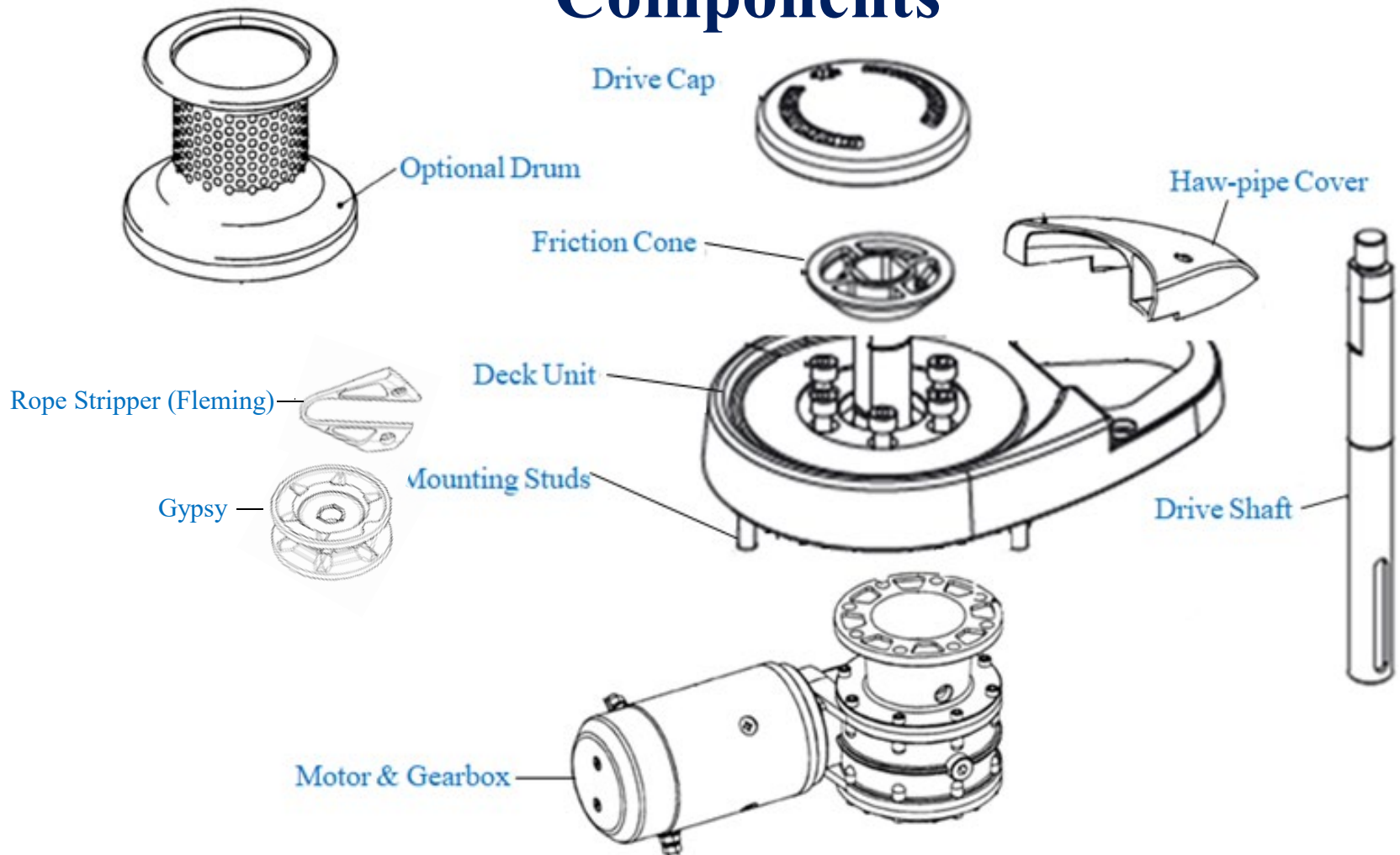
# Horizontal



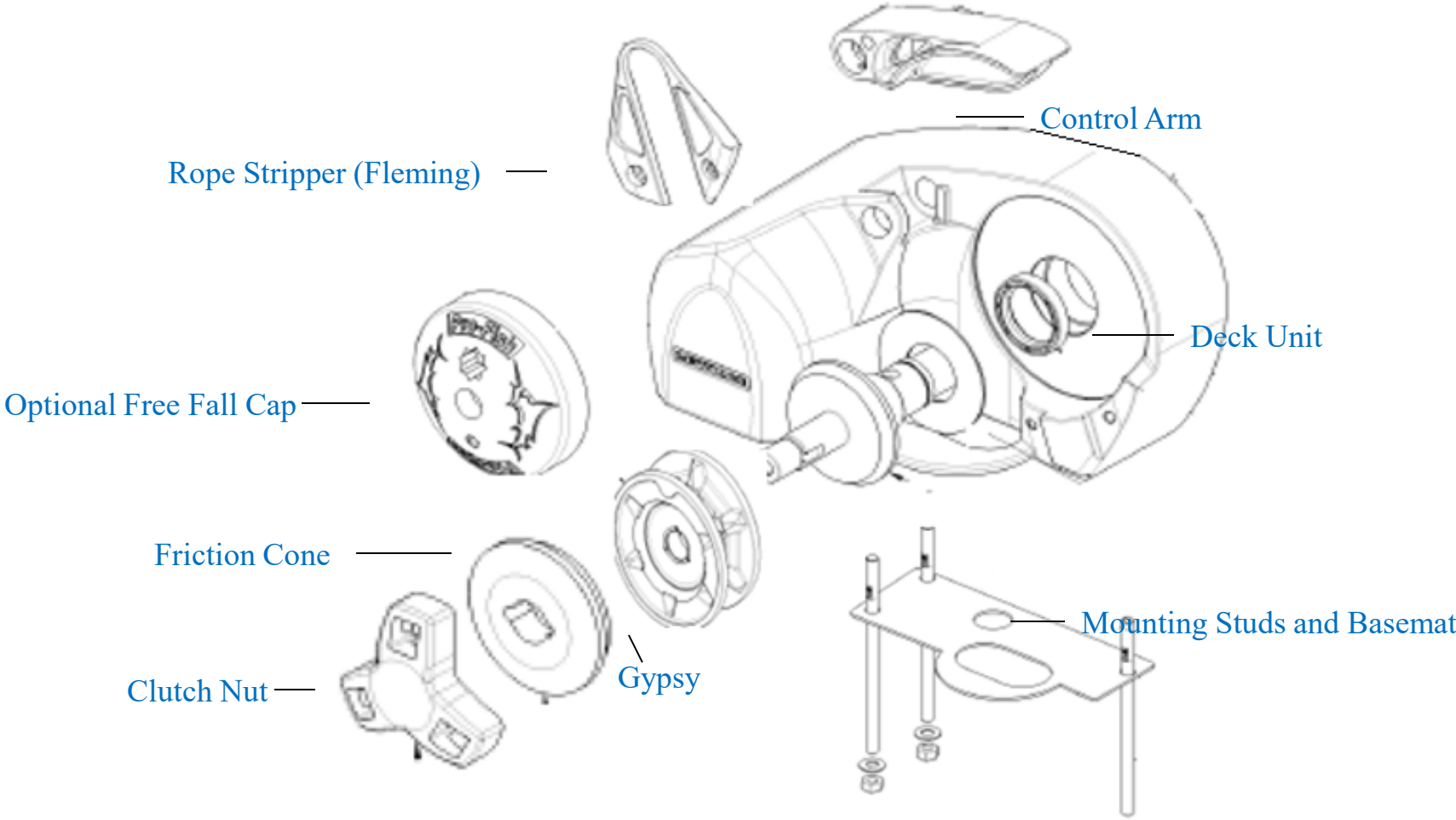
## Horizontal Windlass Key Features

- Most of the windlass unit is on the deck
- Easy installation
- Good for boats with small anchor lockers
- Anchor rode enters the gypsy, makes a 90° turn and feeds into the anchor locker
- Minimum fall of 304mm (12") is recommended in order to have enough gravity to pull the rode down into the locker

# Vertical Windlass Components



# Horizontal Windlass Components



# Electronics

- Windlass kits come standard with Rocker Switch, Circuit Breaker and Contactor
- The following can be added to all models:
  - Wired/wireless remote
  - Stainless steel or composite deck switches
  - Chain counter



# Safety Devices

## Chain Stopper



- Made from 316 stainless
- Takes load off windlass
- Available for all chain sizes

## Safety Strap



- Prevents anchor from unintentionally deploying
- Clips to chain and fastens into deck



# Sizing Charts for all Anchor Models



## Delta® Anchor

The market-leading Delta® anchor is constructed of high-grade manganese steel or Duplex stainless steel for maximum strength. Its unique shank profile and ballasted tip make it self-launching, and its low centre of gravity and self-righting geometry ensure that it will set immediately. Consistent and reliable in performance, the Delta® anchor is guaranteed for life against breakage along with Lloyd's Register high holding power accreditation<sup>2</sup>.

### Selection guide

ANCHOR WEIGHT		BOLT LENGTH OVERALL								
KG	LB	6 M 30 FT	8.2 M 38 FT	12.2 M 40 FT	15.2 M 58 FT	18.2 M 60 FT	22.2 M 70 FT	24.4 M 80 FT	27.4 M 90 FT	
4	9	■								
6	14	■								
30	33	■								
35	35		■							
30	44			■						
25	55				■					
33	70					■				
40	88						■			
50	110							■		
65	140								■	

Lighter shading represents the upper limit of model. If in doubt, move up a model.

This information is for guidance only, please consult the relevant Classification Society for specific certification requirements.

**DELTA**<sup>™</sup>

**LEWMAR**<sup>®</sup>

# Anchors

## Delta

- One piece construction
- Self stabilising plough.
- Automatic launch & stow
- Large blade area
- Holds well in rocks and weeds
- Lifetime warranty against breakage & Lloyds certified



# Anchors

## DTX

- Made from 316 stainless steel
- Similar holding power to Delta
- Lead ballasted tip for fast setting
- 3 year warranty



**LEWMAR®**

# Anchors

## Claw

- One piece construction
- Sits in most bow rollers
- Sets in variety of sea-beds



Galvanised  
Claw



Stainless Steel  
Claw



# Anchors

## New LFX

- Tough, durable and corrosion-resistant finish
- Performs best in mud and sand sea beds
- Very high holding power to weight ratio
- Easily detachable for locker storage (minimal tools required)
- Weight range- 4,7, 10, 15, and 21 pound



# Bow Rollers

- Constructed of 304 stainless steel
- Range of rollers to fit most combination of anchors, mounting styles, and boats
- Allows user to safely stow anchor and deploy quickly



# Gypsy Selection

- Gypsies' are all stamped with a code number to determine correct rope/chain size
- Each model is designed to work with a specific rope and chain size
- Options:
  - 1/4" G4 Chain with 1/2" line
  - 5/16" G4 Chain with 5/8" line
  - 3/8" G4 Chain with 5/8 line

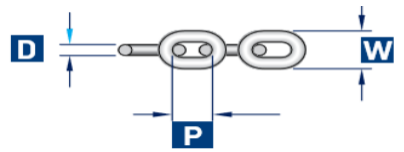


# Chain Selection

- Lewmar windlass' are designed to work primarily with G4 chain
  - Some options still compatible with BBB
- G4- Hi Tensile Strength, Short Link
- G4 chain is stamped on links



Chain guide



		6 MM DIN 766	6 MM ISO 4565	1/4" ACCO ISO 643 (G4)	7MM DIN 766	1/4" ACCO BBB (3B)	8MM DIN 766	8MM ISO 4565	5/16" ACCO ISO 643 (G4)	LEWMAR 9.5MM G40	3/8" CAMPBELL S4	10MM ISO 4565	3/8" CAMPBELL S3	10MM DIN 766	3/8" ACCO ISO 643 (G4)	11MM SHORT LINK	11MM DIN766	7/16" ACCO ISO 643 (G4)	LEWMAR 12MM G30/G40 12MM SHORT LINK	13MM DIN 766	1/2" ACCO ISO 643 (G4)	LEWMAR 14MM G30/G40 14 MM SHORT LINK	14MM DIN 766	14MM STUDLINK	16MM SHORT LINK	16MM DIN 766
<b>D</b>	MM	6	6	7	7	7.14	8	8	8.4	9.5	10	10	10	10	10	11	11	11.8	12	13	13.2	14	14	14	16	16
	INCH	0.236	0.236	0.276	0.276	0.281	0.315	0.315	0.329	0.374	0.39	0.394	0.37	0.394	0.394	0.433	0.433	0.464	0.472	0.512	0.520	0.551	0.551	0.551	0.630	0.630
<b>P</b>	MM	18.5	18	21.3	22	22.1	24	24	26.2	31.5	29	30	35	28	31	33	31	35.5	36	36	40.4	42	41	56	48	45
	INCH	0.728	0.709	0.840	0.866	0.870	0.945	0.945	1.030	1.240	1.15	1.181	1.36	1.102	1.220	1.299	1.22	1.4	1.417	1.417	1.591	1.654	1.614	2.205	1.890	1.772
<b>W</b>	MM	20.4	21.6	24.4	23.8	25.2	27.2	28.8	29.7	31.6	35	36	34	36	35	39	40	40.1	40.5	47	45.7	49	50	50.4	56	58
	INCH	0.803	0.85	0.962	0.937	0.992	1.07	1.134	1.168	1.244	1.3	1.417	1.31	1.417	1.378	1.535	1.575	1.578	1.594	1.850	1.799	1.929	1.969	1.984	2.205	2.283



# Rode

## 8-Plait Line

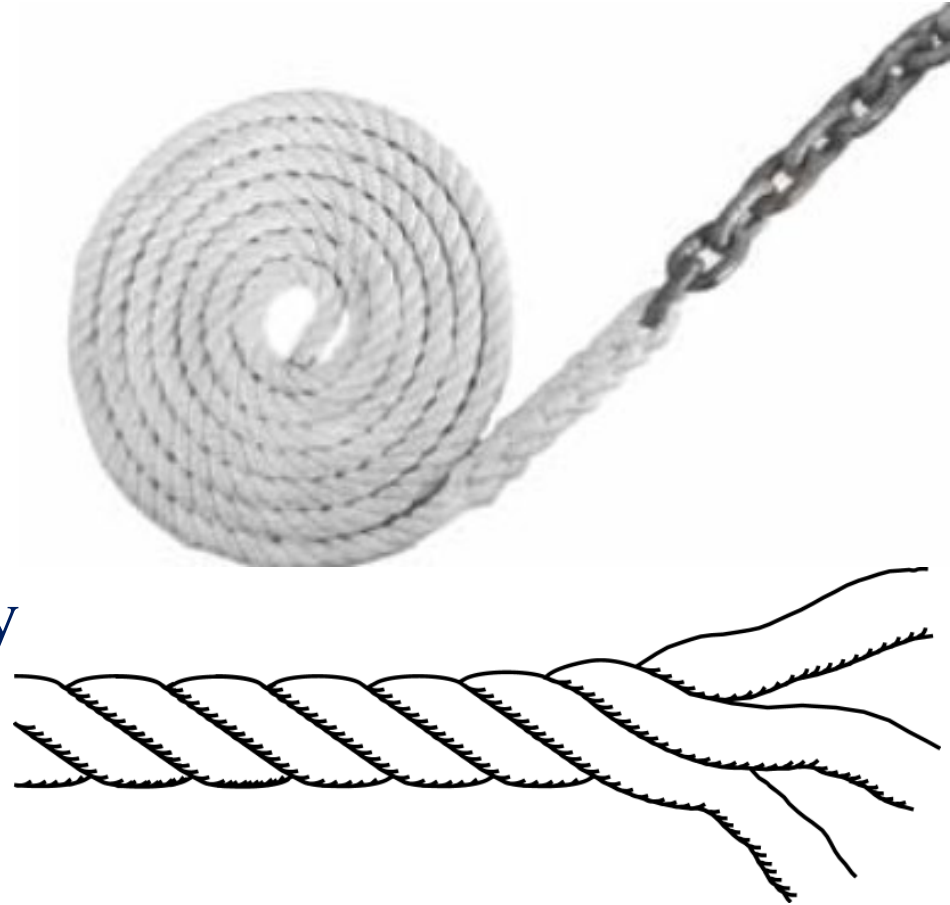
- 8-Plait flakes like chain
- Can fit 30% more rode in locker
- Does not stiffen like 3-strand
- Absorbs more moisture to which helps in storing rode
- Recommended for majority of Lewmar Windlass'



# Rode

## 3-Strand Rope

- Durable and strong
- Cost-effective
- Works with all Lewmar windlasses
- Easiest to splice
- Use only quality medium lay 3-strand nylon rope



# Rode Installation



- When installing new rode, do not turn the shipping box upside down into the locker.



- Use the windlass to load the rode into the locker.