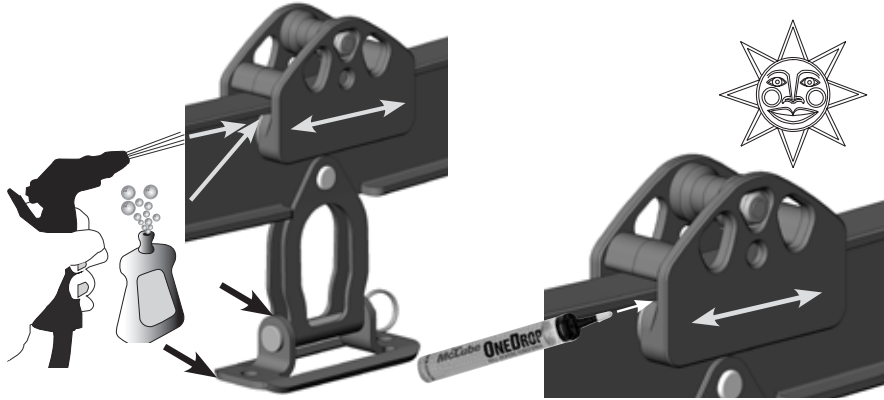


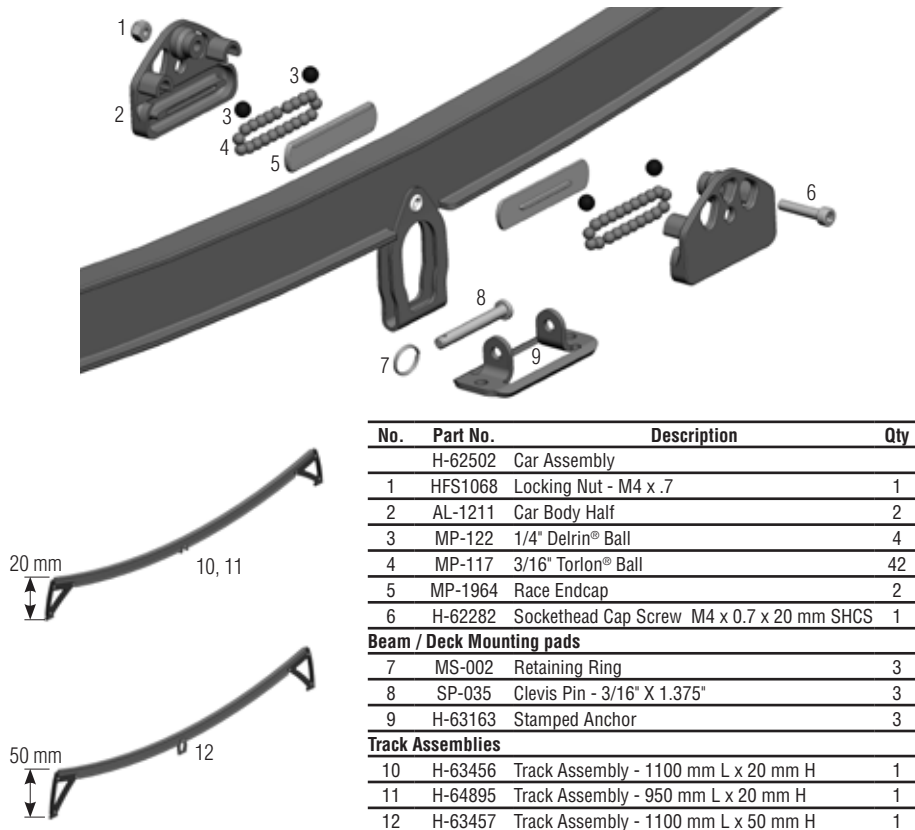
## Maintenance

Flush balls and track hinges with liquid detergent and fresh water.



Once dry, use a single drop of OneDrop™ in each ball race.

## Parts List



No.	Part No.	Description	Qty
	H-62502	Car Assembly	
1	HFS1068	Locking Nut - M4 x .7	1
2	AL-1211	Car Body Half	2
3	MP-122	1/4" Delrin® Ball	4
4	MP-117	3/16" Torlon® Ball	42
5	MP-1964	Race Endcap	2
6	H-62282	Sockethead Cap Screw M4 x 0.7 x 20 mm SHCS	1
<b>Beam / Deck Mounting pads</b>			
7	MS-002	Retaining Ring	3
8	SP-035	Clevis Pin - 3/16" X 1.375"	3
9	H-63163	Stamped Anchor	3
<b>Track Assemblies</b>			
10	H-63456	Track Assembly - 1100 mm L x 20 mm H	1
11	H-64895	Track Assembly - 950 mm L x 20 mm H	1
12	H-63457	Track Assembly - 1100 mm L x 50 mm H	1



Delrin®  
OneDrop™  
Teflon®

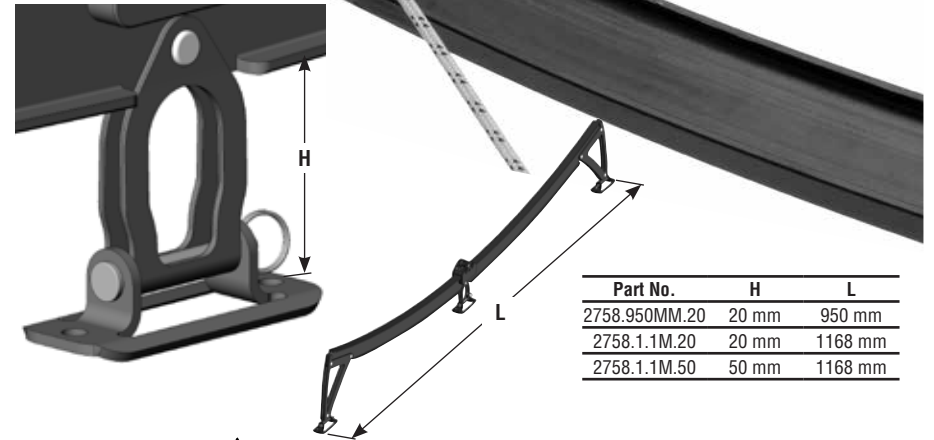
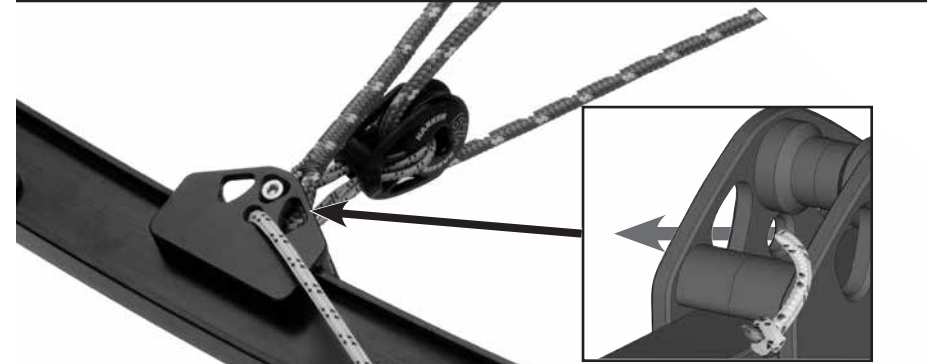
Delrin® is a registered trademark of E. I. du Pont de Nemours and Company or its affiliates.  
OneDrop™ is a trademark of McLube™, a Division of McGee Industries.  
Teflon® is a registered trademark of E. I. du Pont de Nemours and Company or its affiliates.

# HARKEN®

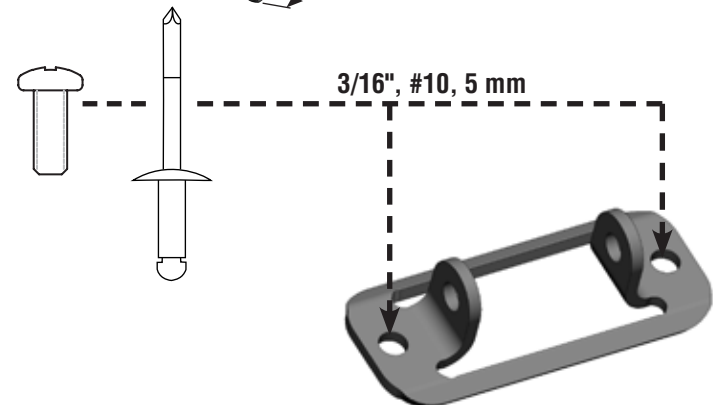
USA – Tel: (+1) 262-691-3320 • Web: www.harken.com • Email: harken@harken.com  
Italy – Tel: (+39) 031.3523511 • Web: www.harken.it • Email: techservice@harken.it

## INSTRUCTIONS

**Crossbow™ Pivoting Self-Tacking Jib Track System**  
**2758.1.1M.20 2758.1.1M.50 2758.950MM.20**

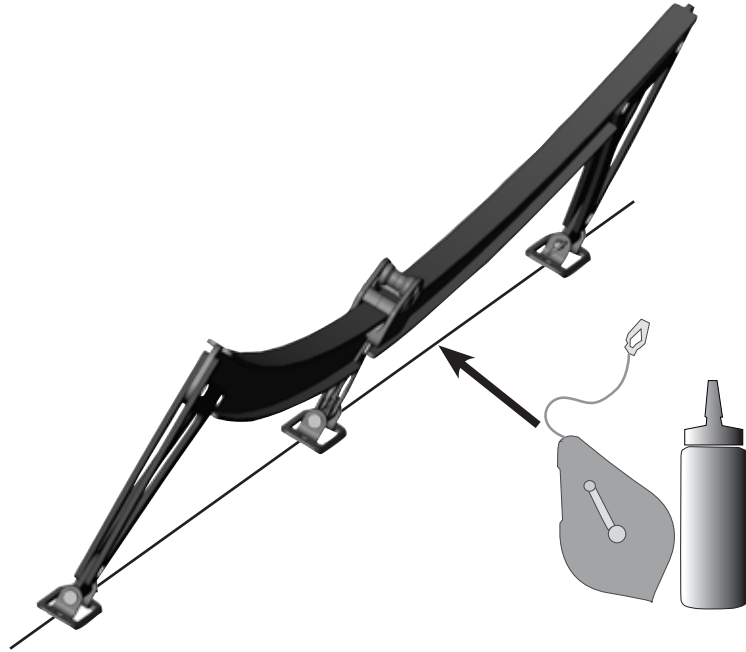


Part No.	H	L
2758.950MM.20	20 mm	950 mm
2758.1.1M.20	20 mm	1168 mm
2758.1.1M.50	50 mm	1168 mm



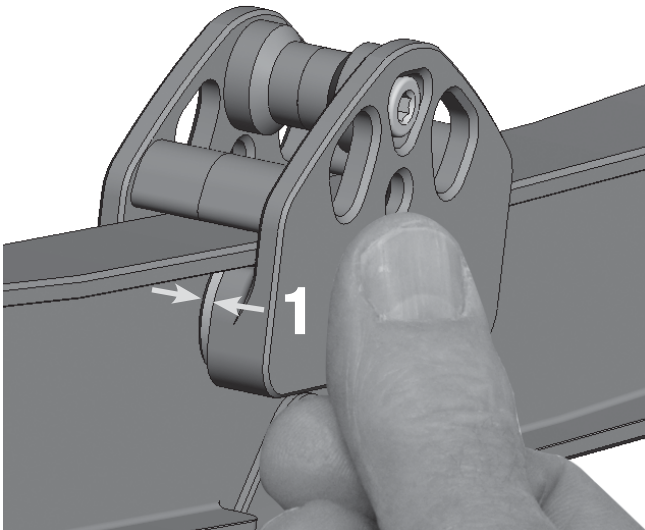
## Mounting

Use straight edge or chalk line to insure mounting holes are lined up.

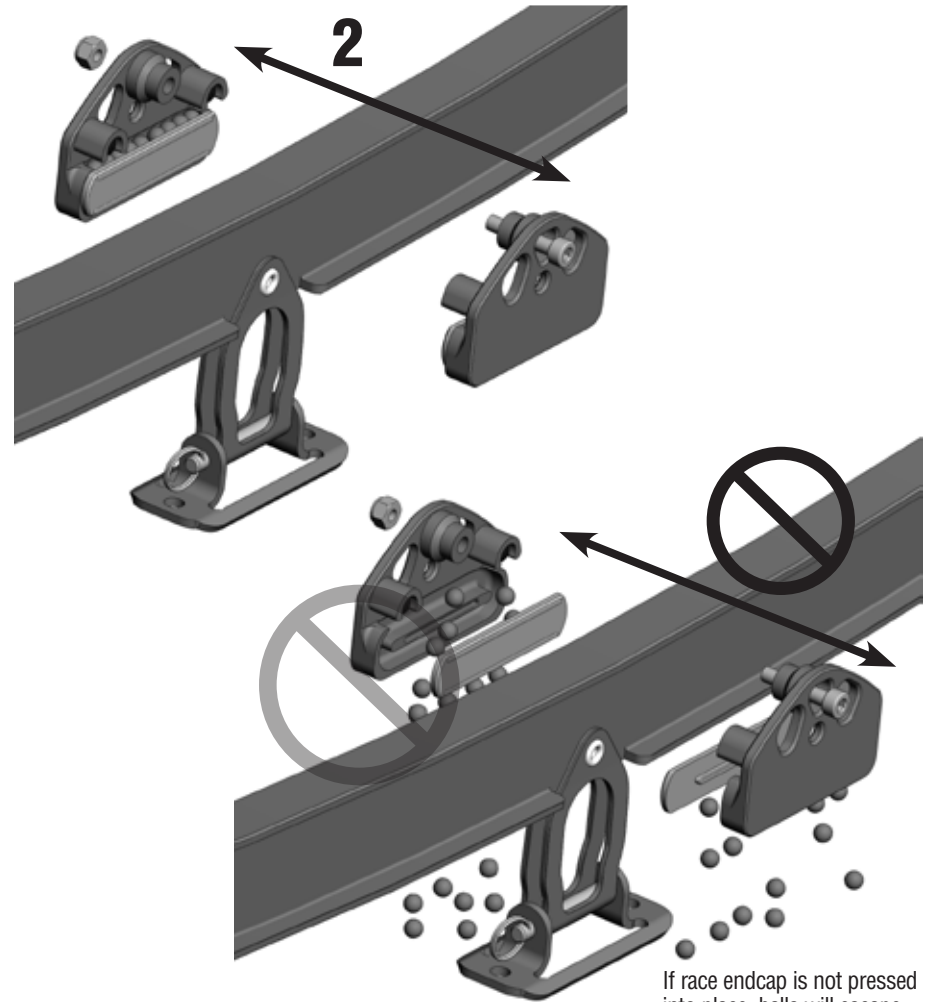


## Removing Car

Before removing car, press sides of car together to ensure race endcap will hold balls in place.



## Removing Car (Continued)



If race endcap is not pressed into place, balls will escape.

