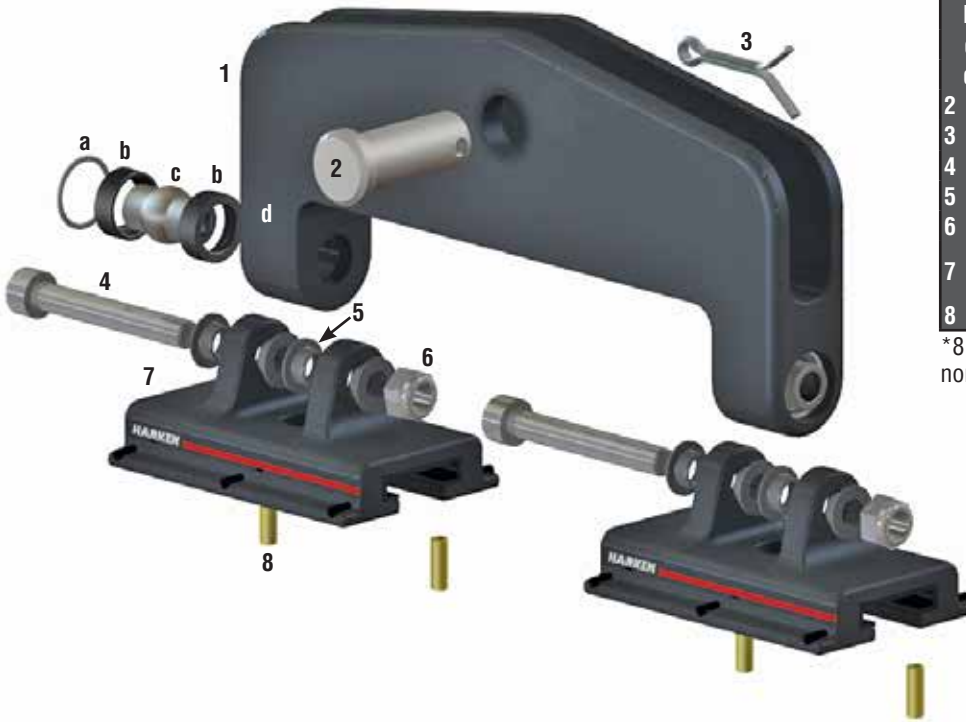


# Replacement Parts



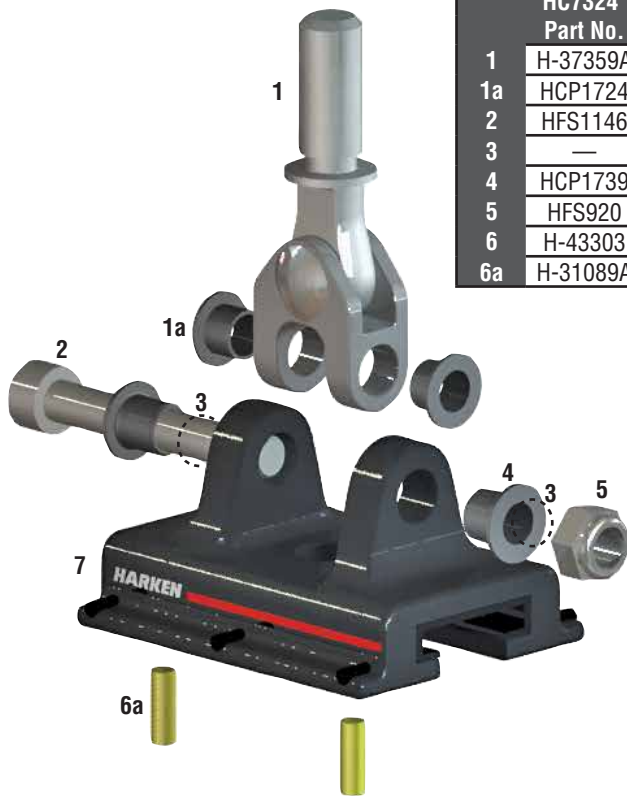
HC9045—26 mm System			
	Part No.	Description	Quantity
1	HC9045	Coupler assembly	1
a	MS-292	Smalley ring	2
b	MS-284	Cup	4
c	MS-285	Spherical becket	2
d	AL-2037	Coupler only	1
2	H-37545A	Clevis pin	1
3	HFS203	Cotter pin	1
4	HFS1146	M8 x 52 SHCS	2
5	H-46463	Igus® bushing	8
6	HFS920	M8 lock nut	2
7	H-43304	Car assembly with sliders and pins	2
8	H-31089A	Guide pin	4

\*8 more are listed in bill. They are used to hold non-replaceable insert bearing in place.



HC9046—32 mm System			
	Part No.	Description	Quantity
1	HC9046NP	Coupler assembly	1
a	MS-291	Smalley ring	2
b	MS-288	Cup	4
c	MS-287	Spherical becket	2
d	AL-2047	Coupler only	1
e	MS-265	Igus® bushing	2
2	H-37545A	Clevis pin	1
3	HFS203	Cotter pin	1
4	H-36101A	M10 x 68 SHCS	2
5	HCP1730	Igus® bushing	4
6	HFS191	Flatwasher	2
7	HFS920	Thin lock nut	2
8	Contact Harken	Car body	2
9	H-37242A	Guide pin	4

# Replacement Parts



	HC7324 Part No.	HC8098 Part No.	HC7316 Part No.	C7814 Part No.	Description	Quantity
1	H-37359A	H-47961	H-47960	H-39218A	Toggle/stud assembly w/bushing	1
1a	HCP1724	MS-1028	HCP704	HCP1819	Igus® bushing only	2
2	HFS1146	H-36101A	H-36101A	H-48140	Socket head cap screw	1
3	—	H-37226A	H-37226A	—	Delrin® washer	2
4	HCP1739	HCP1730	HCP1730	HCP1819	Igus® bushing	2
5	HFS920	HFS920	HFS920	HFS937	Lock nut	1
6	H-43303	Contact Harken		Car assembly/sliders/guide pins		1
6a	H-31089A	H-37242A	H-37242A	H-41991	Guide pin only	2



	HC8125 Part No.	HC8099 Part No.	Description	Quantity
1	H-40900	H-40891	Socket head cap screw	1
2	HCP1739	HCP1730	Igus® bushing	2
3	H-40902	H-36138A	Bushing/becket roller	2
4	HFS920	HFS920	Lock nut	1

HC7325			
	Part No.	Description	Quantity
1	HFS1146	Socket head cap screw	1
2	HCP1739	Igus® bushing	2
3	H-40902	Bushing/becket roller	2
4	HFS920	Lock nut	1
5	H-43304	Car assembly/sliders/guide pins	1
6	H-31089A	Guide pin only	2



	HC7493 Part No.	HC7322 Part No.	Description	Quantity
1	HCP1739	HCP1730	Igus® bushing	2
2	H-37250A	H-36101A	Socket head cap screw	1
3	H-32605A	H-36138A	Bushing/becket roller	1
4	HFS920	HFS1586	Lock nut	1
5	H-43305	Contact Harken	Car assembly/sliders/guide pins	1
6	H-31089A	H-37242A	Guide pin only	2

HC8076			
	Part No.	Description	Quantity
1	H-40891	Socket head cap screw M10X107	1
2	HFS130	Flat washer 10 mm	1
3	HCP1730	Igus® bushing	4
4	H-36138A	Bushing/becket roller	2
5	HFS191	Flat washer 8 mm	1
6	HFS920	Lock nut	1
7	H-37242A	Guide pin only	2