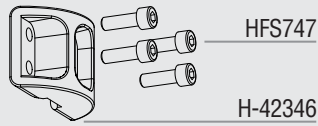


UNIT 2E

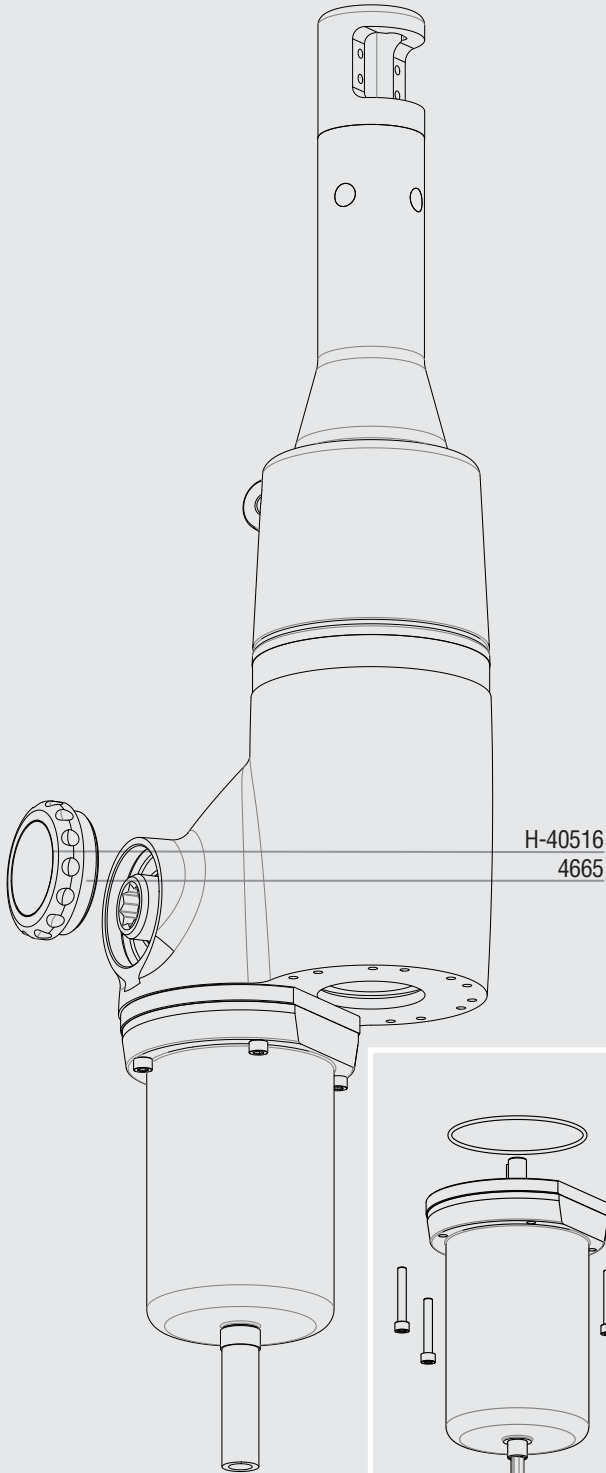
UNIT 2E

7412.13BASE 12V / 7412.13BASE 24V

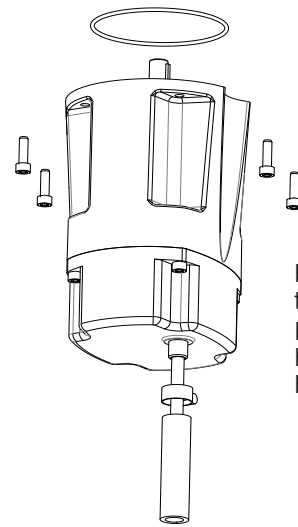


1
2
3

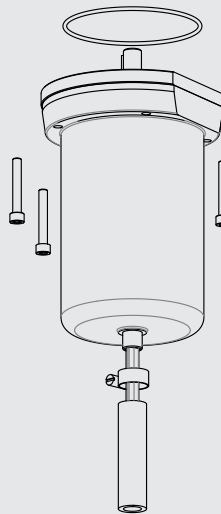
Description	Order	Part No.
1 Torque Tube Screws	4	HFS747
Torque Tube Clamp	1	H-42346
2 Lower Unit 12V	1	7412.13BASE 12V
Manual Drive Cap	1	H-40516
Cap Safety Label	1	4665
Lower Unit 24V	1	7412.13BASE 24V
Manual Drive Cap	1	H-40516
Cap Safety Label	1	4665
3 Motor Housing Kit 12V	1	H-73616
Motor Housing Kit 24V	1	H-73805



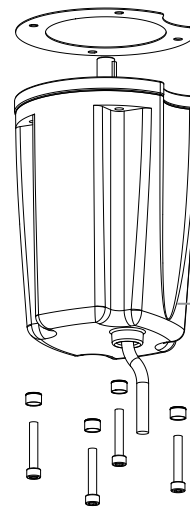
H-40516
4665



Housing style 2014
to Mid-2016
Replace with
H-73616 12V
H-73805 24V



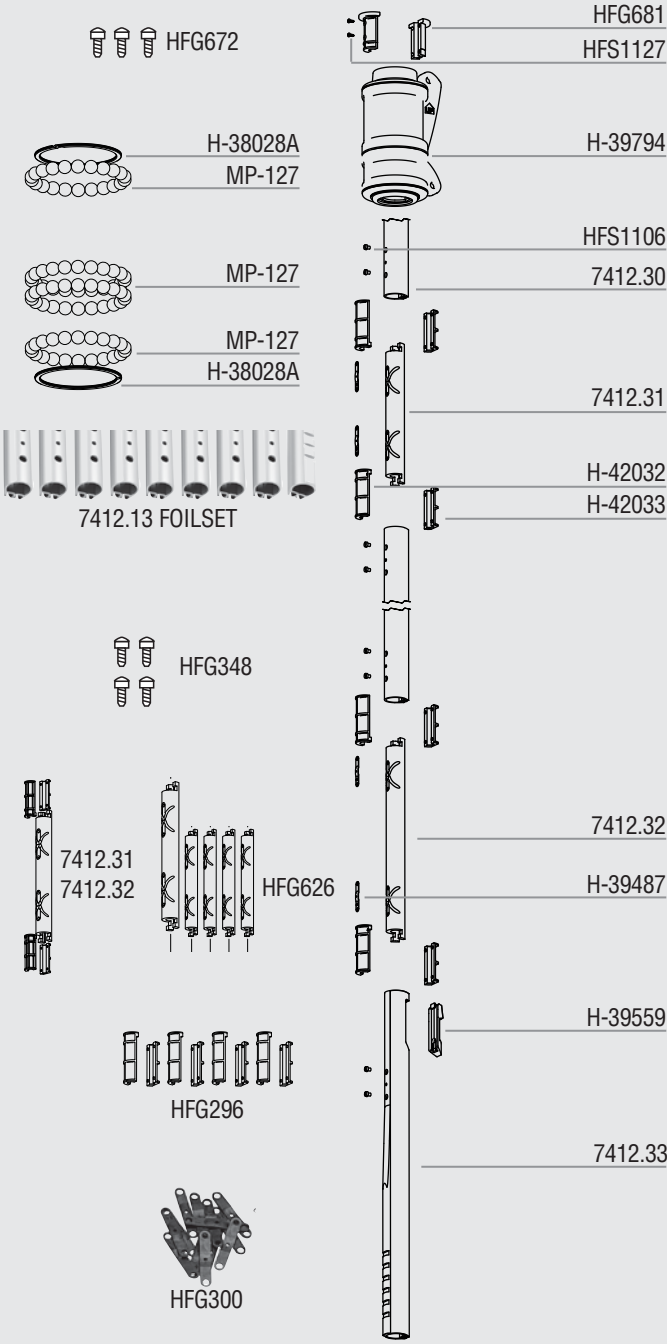
Housing style
mid-2016 to
present
H-73616 12V
H-73805 24V



Housing style used
on Unit 2E purchased
before December 2013
Replace with
H-73616 12V
H-73805 24V

UNIT 2E

UNIT 2E



4

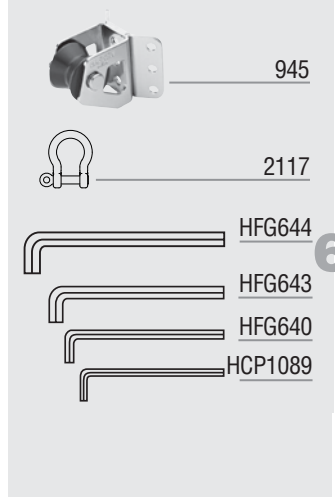
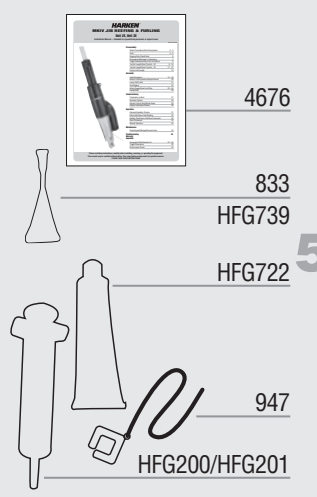
4

6

Description	Order	Part No.
Trim Cap Set w/o Screws	1	HFG681
Trim Cap Screw Set	1	HFG672
Trim Cap Screw	3	HFS1127
Halyard Swivel w/o Shackles	1	H-39794
Torlon® Ball Bearings	92	MP-127
Clip / Smalley Ring	2	H-38028A
Foil Set	1	7412.13 FOILSET
Foil (7' / 2.13 m) Luff	8	7412.30
Foil (2' / 610 mm) Bottom	1	7412.33
Foil Screw Set	1	HFG348
Foil Screw	38	HFS1106
Connector Set w/o Bushings	1	HFG626
Connector (9" / 229 mm)	7	—
Connector Bottom (13" / 330 mm)	1	—
Connector Bushing Set	1	HFG296
Connector Bushing (Curved / Longer)	16	H-42032
Connector Bushing (Flat / Shorter)	16	H-42033
Connector w/Bushings	1	7412.31
Connector (9" / 229 mm)	1	—
Connector Bushing (Curved / Longer)	2	—
Connector Bushing (Flat / Shorter)	2	—
Foil Screw	4	—
Connector Wedge	2	—
Connector w/Bushings Bottom	1	7412.32
Connector Bottom (13" / 330 mm)	1	—
Connector Bushing (Curved / Longer)	1	—
Connector Bushing (Flat / Shorter)	1	—
Connector Wedge Set	1	HFG300
Connector Wedge	18	H-39487
Feeder Set	1	H-39559
Feeder	1	H-33931B
Feeder Screw	1	HFS1129
Tab	1	H-35671A

5

6



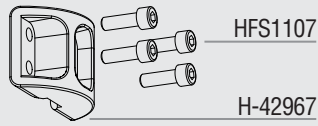
Description	Order	Part No.
Instruction Manual	1	4676
Loctite® Blue	1	833
Loctite® Red	2	HFG739
5200 Adhesive Set	1	HFG725
5200 Marine Adhesive Sealant	1	HFG722
Injector	1	HFG200
		HFG201
Prefeeder	1	947

Description	Order	Part No.
Halyard Restrainer (Optional)	1	945
Sheave/SS Inner Race Only	1	945ASSY
Clevis Pin (5/16" x 1 1/4" 18-8)	1	SP-038
Bracket-Large	1	HCP394
Cotter Pin (3/32" x 3/4" 18-8)	1	HFS181
Bow Shackle (8 mm)	3	2117
Hex Keys		
6 mm	1	HFG644
5 mm	1	HFG643
4 mm	1	HFG640
3 mm	1	HCP1089

UNIT 3E

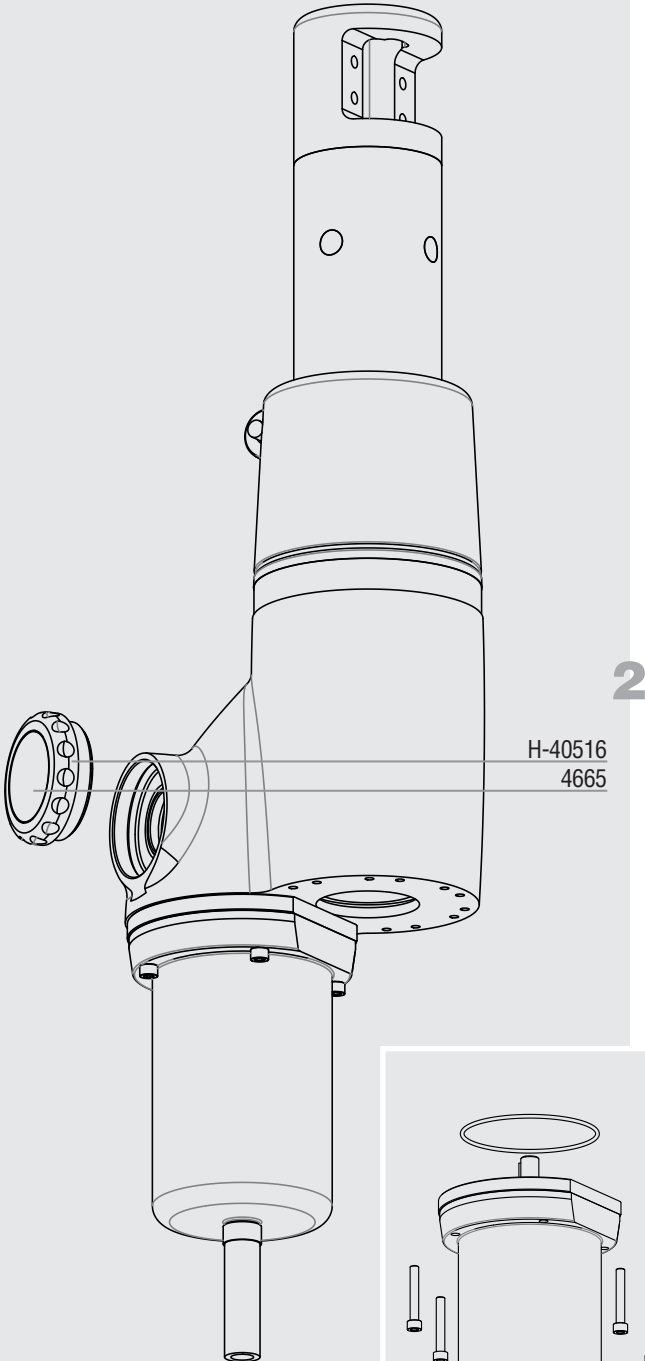
UNIT 3E

7413.13BASE 12V / 7413.13BASE 24V

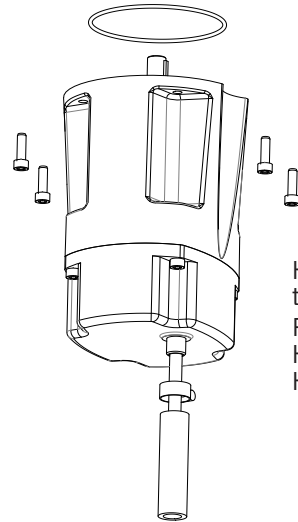


1
2

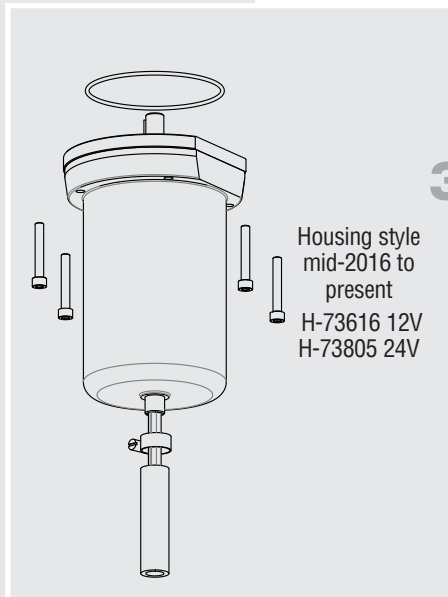
Description	Order	Part No.
Torque Tube Screws	4	HFS1107
Torque Tube Clamp	1	H-42967
Lower Unit 12V	1	7413.13BASE 12V
Manual Drive Cap	1	H-40516
Cap Safety Label	1	4665
Lower Unit 24V	1	7413.13BASE 24V
Manual Drive Cap	1	H-40516
Cap Safety Label	1	4665
Motor Housing Kit 12V	1	H-73616
Motor Housing Kit 24V	1	H-73805



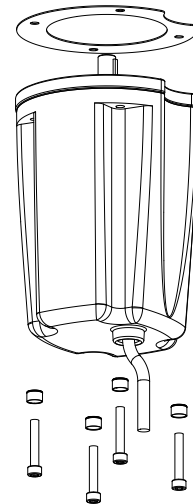
2



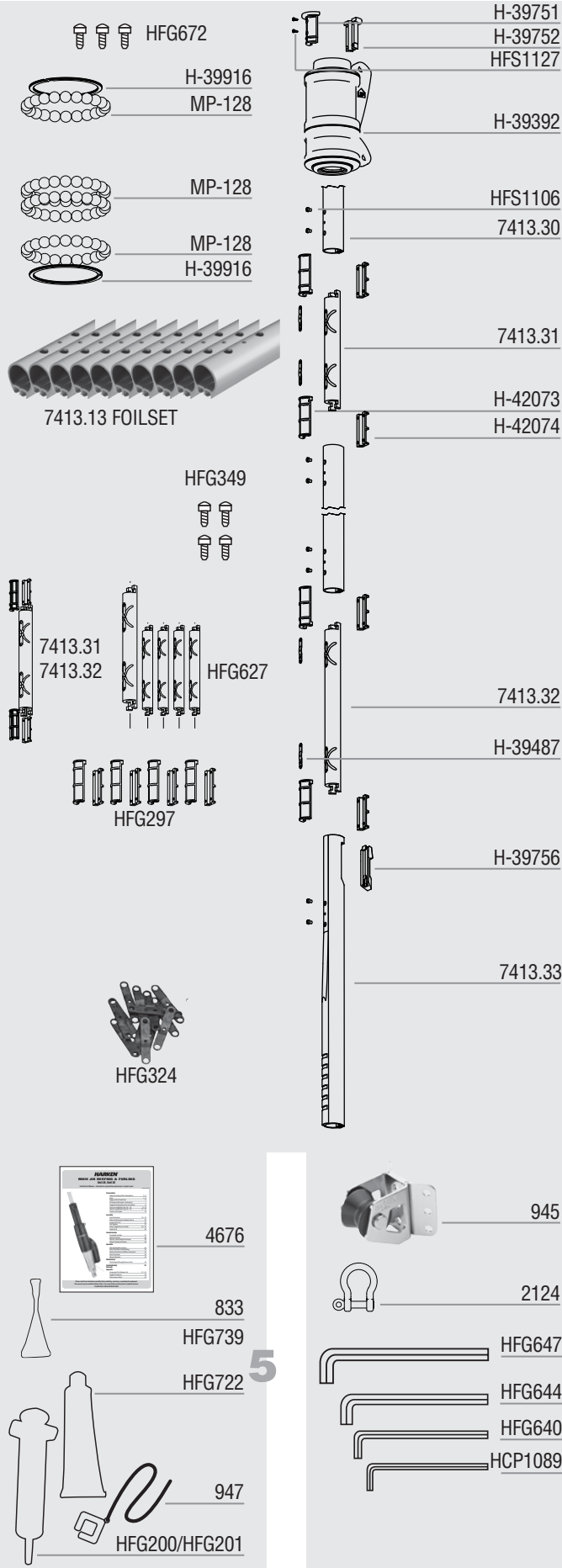
Housing style 2014 to Mid-2016
Replace with H-73616 12V
H-73805 24V



3



Housing style used on Unit 3E purchased before December 2013
Replace with H-73616 12V
H-73805 24V



4

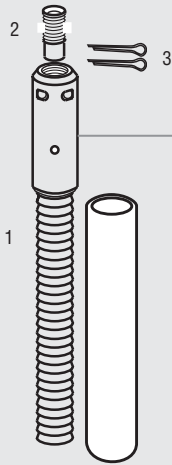
Description	Order	Part No.
Trim Cap w/o Screws		
Top (with Holes)	1	H-39751
Bottom (with Pegs)	1	H-39752
Trim Cap Screw Set	1	HFG672
Trim Cap Screw	3	HFS1127
Halyard Swivel	1	H-39392
Torlon® Ball Bearings	88	MP-128
Clip / Smalley Ring	2	H-39916
Foil Set	1	7413.13 FOILSET
Foil (7' / 2.13 m) Luff	10	7413.30
Foil (2' / 610 mm) Bottom	1	7413.33
Foil Screw Set	1	HFG349
Foil Screw	46	HFS1106
Connector Set w/o Bushings	1	HFG627
Connector	9	—
Bottom Connector (9 ³ / ₄ " / 247 mm)	1	—
Connector Bushing Set	1	HFG297
Connector Bushing Top (Curved / Longer)	20	H-42073
Connector Bushing Bottom (Flat / Shorter)	20	H-42074
Plastic Connector Wedge Set	1	HFG324
Plastic Connector Wedge	22	H-39487
Feeder with Screw and Tab	1	H-39756
Feeder	1	H-38332B
Feeder Screw	1	HFS1130
Tab	1	H-38372A

5

Description	Order	Part No.
Instruction Manual	1	4676
Loctite® Blue	1	833
Loctite® Red	2	HFG739
5200 Adhesive Set	1	HFG725
5200 Marine Adhesive Sealant	1	HFG722
Injector	1	HFG200 HFG201
Prefeeder	1	947

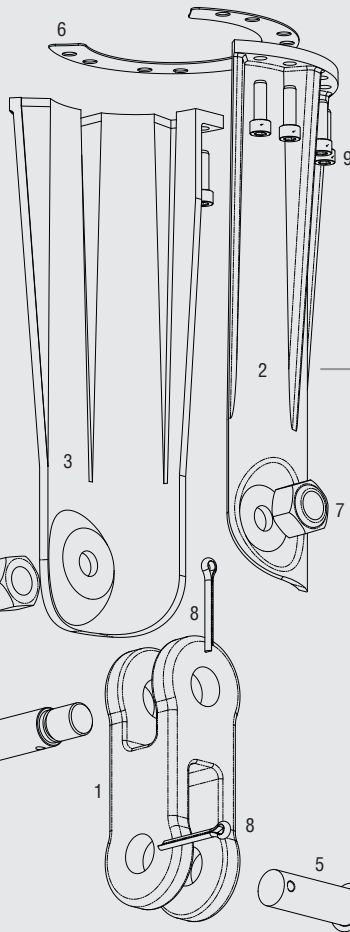
6

Description	Order	Part No.
Halyard Restrainer (Optional)	1	945
Sheave/SS Inner Race Only	1	945ASSY
Clevis Pin (5/16" x 1 1/4" 18-8)	1	SP-038
Bracket-Large	1	HCP394
Cotter Pin (3/32" x 3/4" 18-8)	1	HFS181
Bow Shackle (10 mm)	3	2124
Hex Keys		
10 mm	1	HFG647
6 mm	1	HFG644
4 mm	1	HFG640
3 mm	1	HCP1089



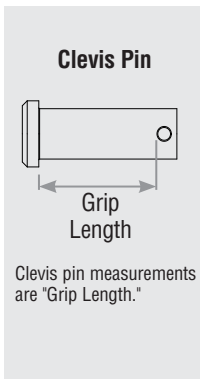
7424 -12
7425 -17
7426 -22
7427 -30

7



7413.22 3/4
7413.22 7/8

8



UNIT 2E			
No.	Description	Order	Part No.
7	Rod Adapter Stud w/Nosepiece (-12)	1	7424 -12
1	Stud (Main Body)	1	H-41531
2	Nosepiece -12	1	H-41527
3	Cotter Pin (3/32" x 1" 18-8)	2	HFG193
	Rod Adapter Stud w/Nosepiece (-17)	1	7425 -17
1	Stud (Main Body)	1	H-41531
2	Nosepiece -17	1	H-41526
3	Cotter Pin (3/32" x 1" 18-8)	2	HFG193
	Rod Adapter Stud w/Nosepiece (-22)	1	7426 -22
1	Stud (Main Body)	1	H-41812
2	Nosepiece -22	1	H-41811
3	Cotter Pin (3/32" x 1 3/4" 18-8)	2	HFG319
	Stud Cap (7/8" ID x 5 1/2" RED)	1	HFG303

UNIT 3E			
No.	Description	Order	Part No.
7	Rod Adapter Stud w/Nosepiece (-22)	1	7426 -22
1	Stud (Main Body)	1	H-41812
2	Nosepiece -22	1	H-41811
3	Cotter Pin (3/32" x 1 3/4" 18-8)	2	HFG319
	Stud Cap (7/8" ID x 5 1/2" RED)	1	HFG303
	Rod Adapter Stud w/Nosepiece (-30)	1	7427 -30
1	Stud (Main Body)	1	H-41814
2	Nosepiece -30	1	H-41813
3	Cotter Pin (3/32" x 1 3/4" 18-8)	2	HFG319
	Stud Cap (7/8" ID x 5 1/2" RED)	1	HFG303

No.	Description	Order	Part No.
8	Jaw/Jaw Toggle w/Link Plates—5/8" Pin	1	7312.22 5/8
1	Toggle (5/8")	1	H-41300
2	Starboard Leg of Link Plate	1	H-51527
3	Port Leg of Link Plate	1	H-51520
4	Crosspin (5/8" x 3.9")	1	H-51528
5	Clevis Pin (5/8" x 1.46")	1	H-42397
6	Isolator	1	H-44998
7	M12 Nylon Locking Nut	2	HFS937
8	Cotter pin (5/32" x 1 1/4" 18-8)	2	HFS203
9	Link Plate Screw (M6 x 1 x 20 SK Cap)	10	HFS748
	Jaw/Jaw Toggle w/Link Plates—3/4" Pin	1	7413.22 3/4
1	Toggle (3/4")	1	H-41489
2	Starboard Leg of Link Plate	1	H-47224
3	Port Leg of Link Plate	1	H-47181
4	Crosspin (.747" x 4.15")	1	H-42583
5	Clevis Pin (3/4" x 1.766")	1	H-42403
6	Isolator	1	H-44998
7	M16 Nylon Locking Nut	2	HFS991
8	Cotter Pin (5/32" x 1 1/4" 18-8)	2	HFS203
9	Link Plate Screw (M6 x 1 x 20 SK Cap)	10	HFS748
	Jaw/Jaw Toggle w/Link Plates—7/8" Pin	1	7413.22 7/8
1	Toggle (7/8")	1	H-42562
2	Starboard Leg of Link Plate	1	H-47224
3	Port Leg of Link Plate	1	H-47181
4	Crosspin (.872" x 4.15")	1	H-42584
5	Clevis Pin (7/8" x 1.96")	1	H-42404
6	Isolator	1	H-44998
7	M16 Nylon Locking Nut	2	HFS991
8	Cotter Pin (5/32" x 1 1/4" 18-8)	2	HFS203
9	Link Plate Screw (M6 x 1 x 20 SK Cap)	10	HFS748