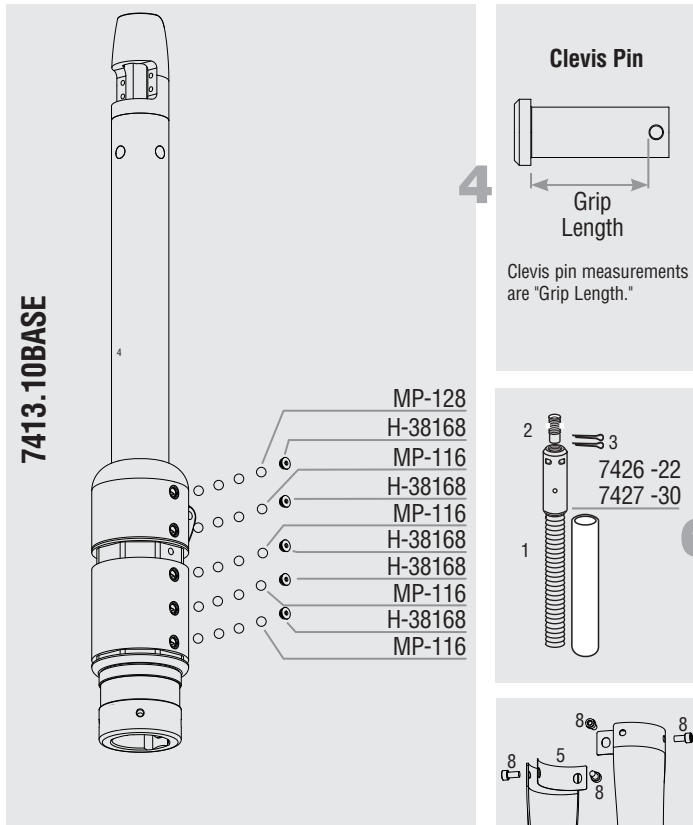
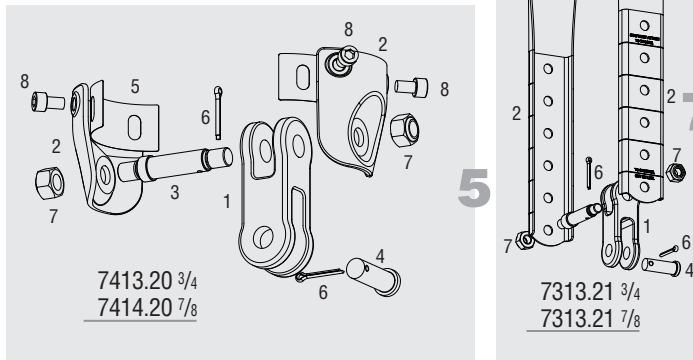


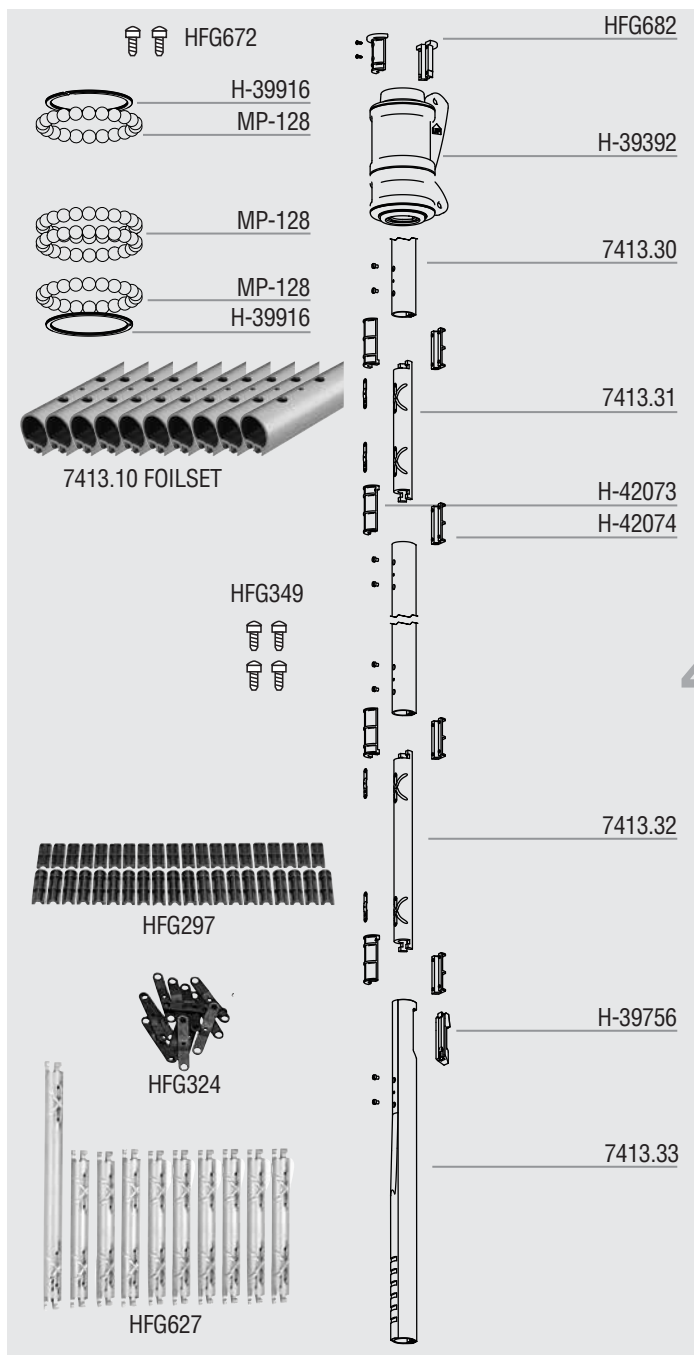
	Description	Order	Part No.
1	Top Cover	2	H-45412
	Top Cover Screw (M5 X 16mm FH)	2	HFS1091
	Bottom Flange	2	H-45413
	Bottom Flange Screw (M5 X 12mm FH)	2	HFS1060
2	Guard	2	H-45562
	Guard Screw (M10 X 65mm FH)	2	HFS1168
3	Clamp	1	H-45264
	Clamp Screw (M8 X 25mm FH)	4	HFS1107
4	Hub Assembly	1	7413.10BASE
	Ball Plugs	5	H-38168
	Torlon® Ball Bearing (1/2")	25	MP-128
	Delrin® Ball Bearing (1/2")	100	MP-116



No.	Description	Order	Part No.
5	Jaw/Jaw Toggle with Short Link Plates	1	7413.20 3/4
	1 Toggle	1	H-41489
	2 Plates	2	H-45334
	3 Crosspin	1	H-42583
	4 Clevis Pin (3/4" X 1.766:GR 302SS)	1	H-42403
	5 Isolator	2	H-42585
	6 Cotter Pin (5/32" X 1.250 18-8)	2	HFS203
	7 Nylon Locking Nut	2	HFS991
8 Socket Head Cap Screw	4	HFS903	
6	Jaw/Jaw Toggle with Short Link Plates	1	7413.20 7/8
	1 Toggle	1	H-42562
	2 Plates	2	H-45334
	3 Crosspin	1	H-42584
	4 Clevis Pin (7/8" X 1.958" 302SS)	1	H-42404
	5 Isolator	2	H-42585
	6 Cotter Pin (5/32" X 1.250 18-8)	2	HFS203
	7 Nylon Locking Nut	2	HFS991
8 Socket Head Cap Screw	4	HFS903	



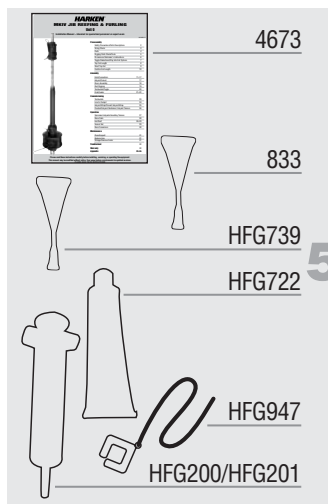
No.	Description	Order	Part No.	Part No.
6	Rod Adapter Stud (-22) w/Nosepiece	1	7426 -22	
	1 Stud (Main Body)	1	H-41812	
	2 Nosepiece -22	1	H-41811	
	3 Cotter Pin (3/32 x 1.750)	2	HFG319	
7	Rod Adapter Stud (-30) w/Nosepiece	1	7427 -30	
	1 Stud (Main Body)	1	H-41814	
	2 Nosepiece -30	1	H-41813	
	3 Cotter Pin (3/32 x 1.750)	2	HFG319	
7	Long Link Plate w/Toggle		7313.21 3/4	7313.21 7/8
	1 Toggle	1	H-41489	H-42562
	2 Plates	2	H-42568	H-42568
	3 Upper Clevis Pin (Custom)	1	H-42583	H-42584
	4 Lower Clevis Pin	1	H-42403	H-42404
	5 Isolator	2	H-42585	H-42585
	6 Cotter Pin	2	HFS203	HFS203
	7 Nylon Locking Nut	2	HFS991	HFS991
8 Socket Head Cap Screw	4	HFS903	HFS903	



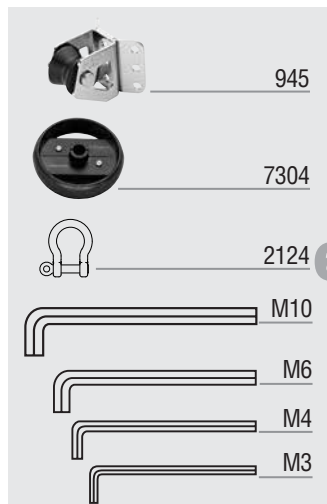
4

Description	Order	Part No.
Trim Cap Set w/o Screws	1	HFG682
Trim Cap Screw Set	1	HFG672
Trim Cap Screw	2	HFS1127
Halyard Swivel	1	H-39392
Clip/Smally Ring for Balls	2	H-39916
Torlon® Ball Bearings	88	MP-128
Foil Set	1	7413.10 FOILSET
Foil (7' / 2.13 m Luff)	10	7413.30
Foil (2' / 610 mm) Bottom	1	7413.33
Foil Screw Set	1	HFG349
Foil Screw	46	HFS1106
Connector Kit	1	7413.31
Connector	1	—
Connector Bushing Top	2	—
Connector Bushing Bottom	2	—
Bottom Connector Kit	1	7413.32
Bottom Connector	1	—
Connector Bushing Top	2	—
Connector Bushing Bottom	2	—
Connector Set	1	HFG627
Connector	9	—
Bottom Connector (9 3/4" / 247 mm)	1	—
Connector Bushing Set	1	HFG297
Connector Bushing Top (Curved/Longer)	20	H-42073
Connector Bushing Bottom (Flat/Shorter)	20	H-42074
Plastic Connector Wedge Set	1	HFG324
Plastic Connector Wedge	22	H-39487
Feeder with Screw and Tab	1	H-39756
Feeder Tab	1	H-38372A
Screw	1	HFS1130

4



5



6

5

Description	Order	Part No.
Instruction Manual	1	4673
Blue Loctite®	1	833
Red Loctite®	2	HFG739
5200 Adhesive Set	1	HFG725
5200 Marine Adhesive Sealant	1	HFG722
Injector	1	HFG200 HFG201
Prefeeder	1	947

6

Description	Order	Part No.
Halyard Restrainer (Optional)	1	945
Sheave/SS Inner Race Only	1	945A
Clevis Pin (1/4" x 1.0625" 18-8)	1	HCP208
Bracket-Large	1	HCP394
Cotter Pin (1/16" x .500" 18-8)	1	HFS181
Halyard Deflector	1	7304
Shackle	3	2124
Hex Keys		
M10	1	HFG647
M6	1	HFG644
M4	1	HFG640
M3	1	HCP1089