

# HARKEN®

## BLOCK INSTRUCTION MANUAL

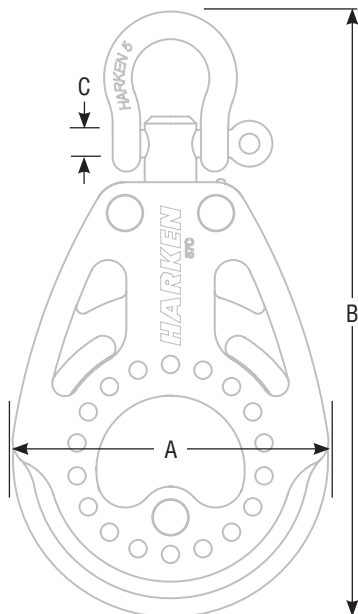
### 57 mm Carbo Air® Block

All blocks except 2607 Ti-Lite

USA – Tel: (+01) 262-691-3320 • Web: [www.harken.com](http://www.harken.com) • Email: [harken@harken.com](mailto:harken@harken.com)  
 Italy – Tel: (+39) 031.3523511 • Web: [www.harken.it](http://www.harken.it) • Email: [techservice@harken.it](mailto:techservice@harken.it)

**!** Strictly follow all instructions to avoid an accident, damage to your vessel, personal injury or death. See [www.harken.com](http://www.harken.com) for additional safety information.

**IMPORTANT: See Inspection and Maintenance at end of manual.**



### Features

**Glass-filled nylon sideplates:** load-carrying curved bearing races.

**Single fixed:** Integral becket allows 2:1 or 3:1 purchase.

**Doubles/triples:** U-Locks holds the swivel in front/side position, or lets block spin freely.

**Triple w/cam:** Compact cam arm supports high-load purchases of 5:1 or 6:1.

**Cam arm locking plates:** Allows cam arms to be locked in more than five positions for fair leads.

**Cheek:** Line-shedding, small mounting footprint and drain holes.

**Common uses:** Main/jib sheets, mainsheet fine-tune, outhauls, cunninghams, vang, control lines

**Max Line Size:** 7/16" (10 mm)

Do not apply a load greater than the Maximum working load (MWL) of the Carbo AirBlock listed below.

Part No.	Description	A		B		C		Maximum working load		Breaking load	
		in	mm	in	mm	in	mm	lb	kg	lb	kg
2600	Single/swivel	2 1/4	57	4 5/16	110	3/16	5	792	359	2380	1079
2601	Single/swivel/becket	2 1/4	57	5 3/16	132	3/16	5	792	359	2380	1079
2606	Cheek	2 1/4	57	3 5/8	92	—	—	792	359	2380	1079
2607	Ti-Lite*	<i>Important: Consult instruction sheet at: <a href="http://www.harken.com/pdf/4927.pdf">http://www.harken.com/pdf/4927.pdf</a></i>									
2615	Single/swivel/150 Cam-Matic®**	2 1/4	57	4 3/16	110	3/16	5	300	136	750	340
2616	Single/swivel/150 Cam-Matic®/becket**	2 1/4	57	5 3/16	132	3/16	5	600	272	1500	680
2621	Fiddle	2 1/4	57	6	153	3/16	5	792	359	2380	1079
2622	Fiddle/becket	2 1/4	57	6 1/8	175	3/16	5	792	359	2380	1079
2623	Fiddle/150 Cam-Matic®	2 1/4	57	6	153	3/16	5	792	359	2380	1079
2624	Fiddle/150 Cam-Matic®/becket	2 1/4	57	6 1/8	175	3/16	5	792	359	2380	1079
2602	Double/swivel	2 1/4	57	4 3/4	121	—	6	1584	720	3300	1500
2603	Double/swivel/becket	2 1/4	57	5 5/8	142	—	6	1584	720	3300	1500
2604	Triple/swivel	2 1/4	57	4 3/4	121	—	6	2380	1080	5000	2270
2605	Triple/swivel/becket	2 1/4	57	5 5/8	142	—	6	2380	1080	5000	2270
2617	Triple/swivel/150 Cam-Matic®**	2 1/4	57	4 3/4	121	—	6	1500	680	3750	1700
2618	Triple/swivel/150 Cam-Matic®/becket**	2 1/4	57	5 5/8	142	—	6	1800	816	4500	2040
2631	Quadruple/swivel	2 1/4	57	4 3/4	121	—	6	2380	1080	5000	2270

\*Can be used as becket block

\*\*Maximum working loads and breaking loads for blocks based on cam strengths

## 2606 Cheek Block



Using block as template, mark holes using a centerpunch. Remove block and drill holes using a 5.2 mm (13/64") drill. Bevel top of deck holes using a small knife to allow sealant to mass. Through-bolt block using recommended stainless steel fasteners, washers and locknuts.



Part No.	Fasteners	A in	A mm	B in	B mm
2606	M5 or #10 PH/RH*	1 7/8	47	1 1/2	12

\*Fastener length: Add deck thickness and overhang for nut and washer.

## 3-Way Cam-Lock—2600 / 2601 / 2615 / 2616 / 2621 - 2624



1

1. Cam lever up.  
Block locks in front or side position.

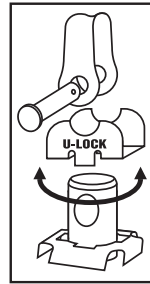


2

2. Cam lever down.  
Block rotates freely.

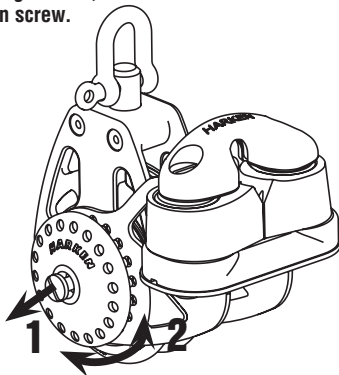
## 3-Way U-Lock—2602 / 2603 / 2604 / 2605 / 2617 / 2618 / 2629 / 2631

The 3-Way U-Lock on doubles and triples allows a change of headpost direction from front to side or allows the block to swivel. To change headpost direction, remove shackle, turn post, install shackle. Remove U-Lock to allow block to swivel.



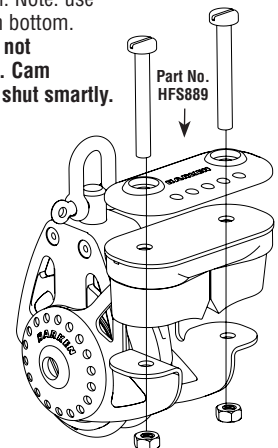
### Adjust Cam Angle (Single/Triple)

1. Loosen cam arm locking plate screw and pull outward to disengage.
  2. Rotate cam arm to desired position.
  3. Press locking plate in and tighten screw.
- Avoid binding sheave, do not over-tighten screw.**



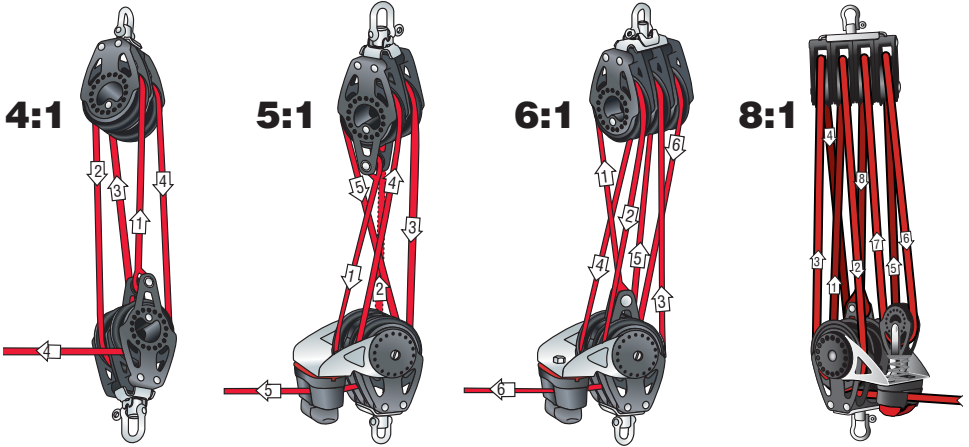
### Reverse Cam Cleat (Single Only)

1. Remove screws from cam.
2. Assemble as shown. Note: use plastic plate on cam bottom.
3. Tighten screws. **Do not overtighten screws. Cam pawls should snap shut smartly.**



## Reeving Multi-Purchase Systems

*Right-angle reeving dead-end on becket*



For larger, printable diagrams, please see: [www.harken.com](http://www.harken.com).

## Inspect Block and Shackle Before You Sail



**WARNING!** Failure to inspect and replace damaged metal parts and/or worn or frayed line can cause block or system to break suddenly causing an accident, damage to your vessel, personal injury or death. See [www.harken.com](http://www.harken.com) for additional safety information.

Frequently inspect shackles and shackle posts for signs of corrosion, cracks, or elongation. When replacing shackles, use the correct Harken parts to maintain the proper strength. Replace line as necessary, taking into consideration the maximum size recommendation.

## Maintenance

Harken equipment is designed for minimal maintenance. However, some upkeep is required to give the best service and comply with the Harken limited warranty.

Keep your equipment clean and free-running by frequently flushing with fresh water. Periodically clean with mild detergent and water solution. Spin sheaves to distribute soap solution evenly. Flush with fresh water.

**Important:** Exposure to some teak cleaners and other caustic solutions can result in discoloration of part and is not covered under the Harken warranty.

## Warranty

For additional safety, maintenance and warranty information see [www.harken.com](http://www.harken.com) or the Harken catalog.